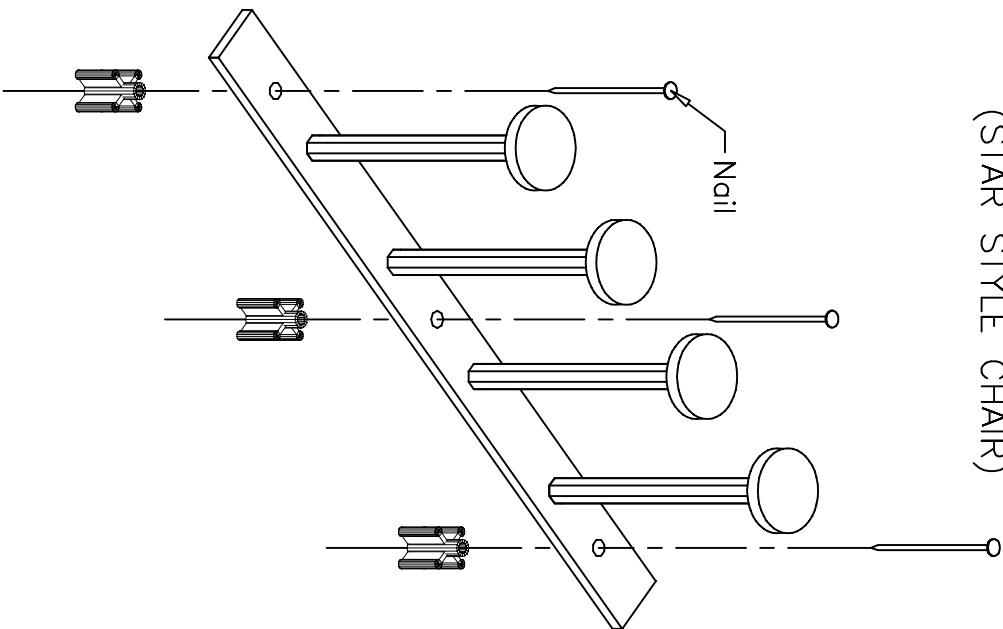


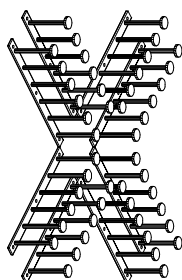
# CHAIR ATTACHMENT (STAR STYLE CHAIR)



## INSTALLATION INSTRUCTIONS FOR STUDRAILS® WITH $\frac{3}{8}$ " & $\frac{3}{4}$ " DIAMETER STUDS

Palm Desert, CA  
(866) DECON-US

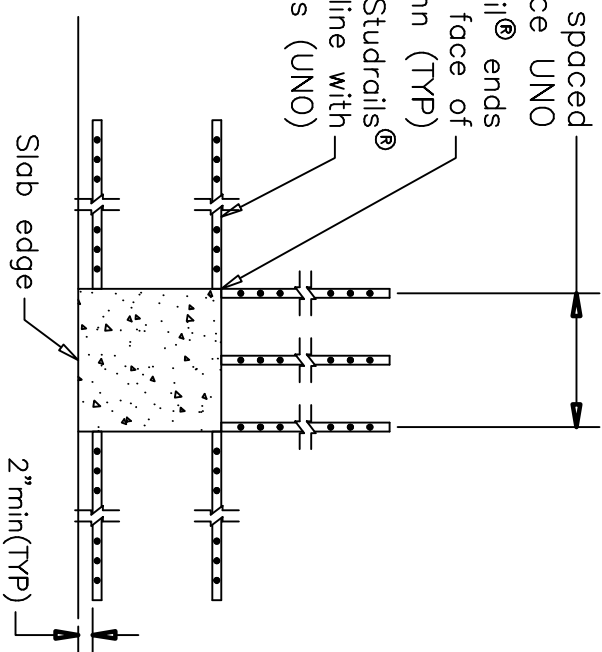
Brampton, ON  
(800) 36-DECON



[www.jordahlUSA.com](http://www.jordahlUSA.com)

Studrails® should be  
equally spaced  
along column face UNO

Studrail® ends  
at face of  
column (TYP)  
Edge of Studrails®  
to be in line with  
column faces (UNO)



**WARNING!**  
STUDRAILS® MUST BE INSTALLED  
WITH THE STUDS VERTICAL AND  
MUST REMAIN VERTICAL WHEN  
PLACING THE CONCRETE.

- Studrails® must be vertical.
- Studrails® must be placed at column corners UNO.
- Push chairs into pre-punched holes from bottom of base rail.
- Use 4d-6d common nails.
- Insert nail through hole in chair.
- Nail all chairs tightly.

Length of rail	No. chairs
0 – 19 $\frac{3}{4}$ "	2
20 – 39 $\frac{3}{4}$ "	3
40 – 59 $\frac{3}{4}$ "	4
60 – 79 $\frac{3}{4}$ "	5
80"+	6

NOTE: QUANTITY OF CHAIRS SHIPPED REFLECTS  
REQUIRED QUANTITIES PER LENGTH OF RAIL