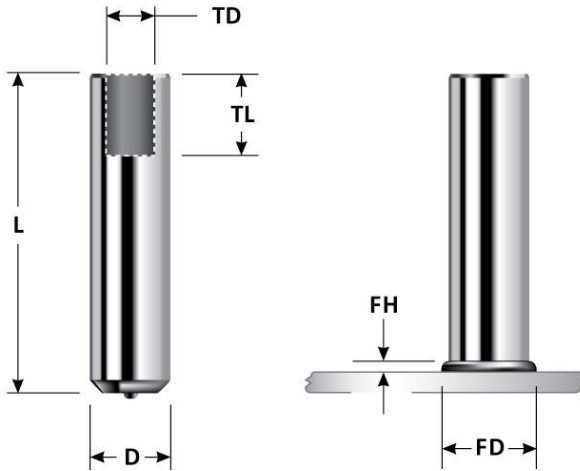


Drive Pad



Diameter "D"	Minimum Length "L"	Tap Diameter "TD"	Tap Diameter "TL"	Fillet Height* "FH"	Fillet Diameter* "FD"	Est. Burn* Off
5/16	3/4	3/16	5/8	.109	.437	.125

* Approximate values
Other sizes available
Contact us if you have a special requirement

Material:

	Low Carbon Steel
Material:	ASTM A108 C1010-C1020 C-0.23% max; P-0.04% max MN-0.90% max; S-0.05% max
Mechanical Properties:	Min. Tensile Type A61,000 psi (420 Mpa) Min. Yield Type A49,000 psi (340 MPa) Min. Tensile Type B65,000 psi (450 MPa) Min. Yield Type B51,000 psi (340 MPa)
Plating:	Available As Special Request